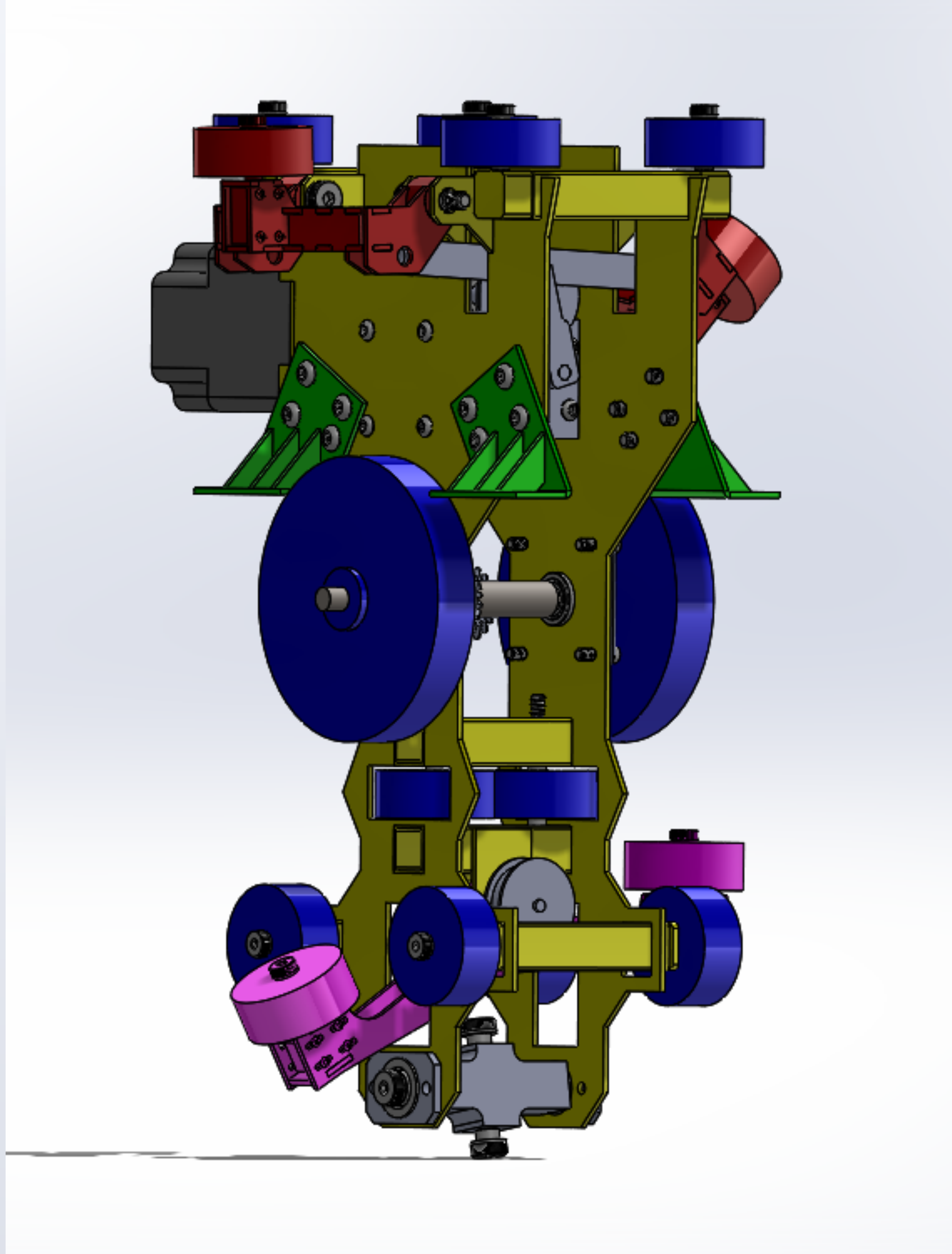


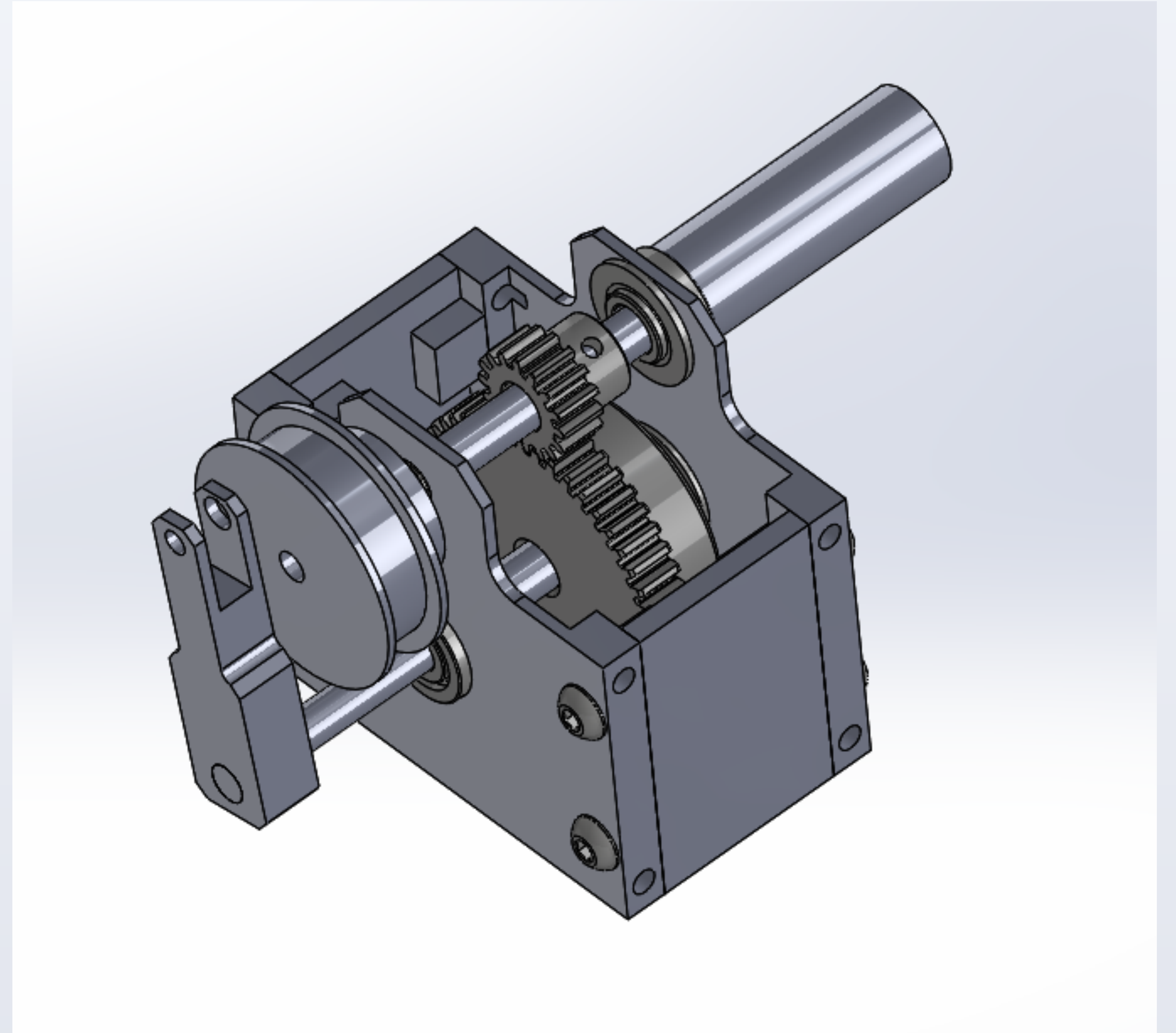
Steering Mechanism for Suspended Transportation System

Michael Kemp and Jorge Soto

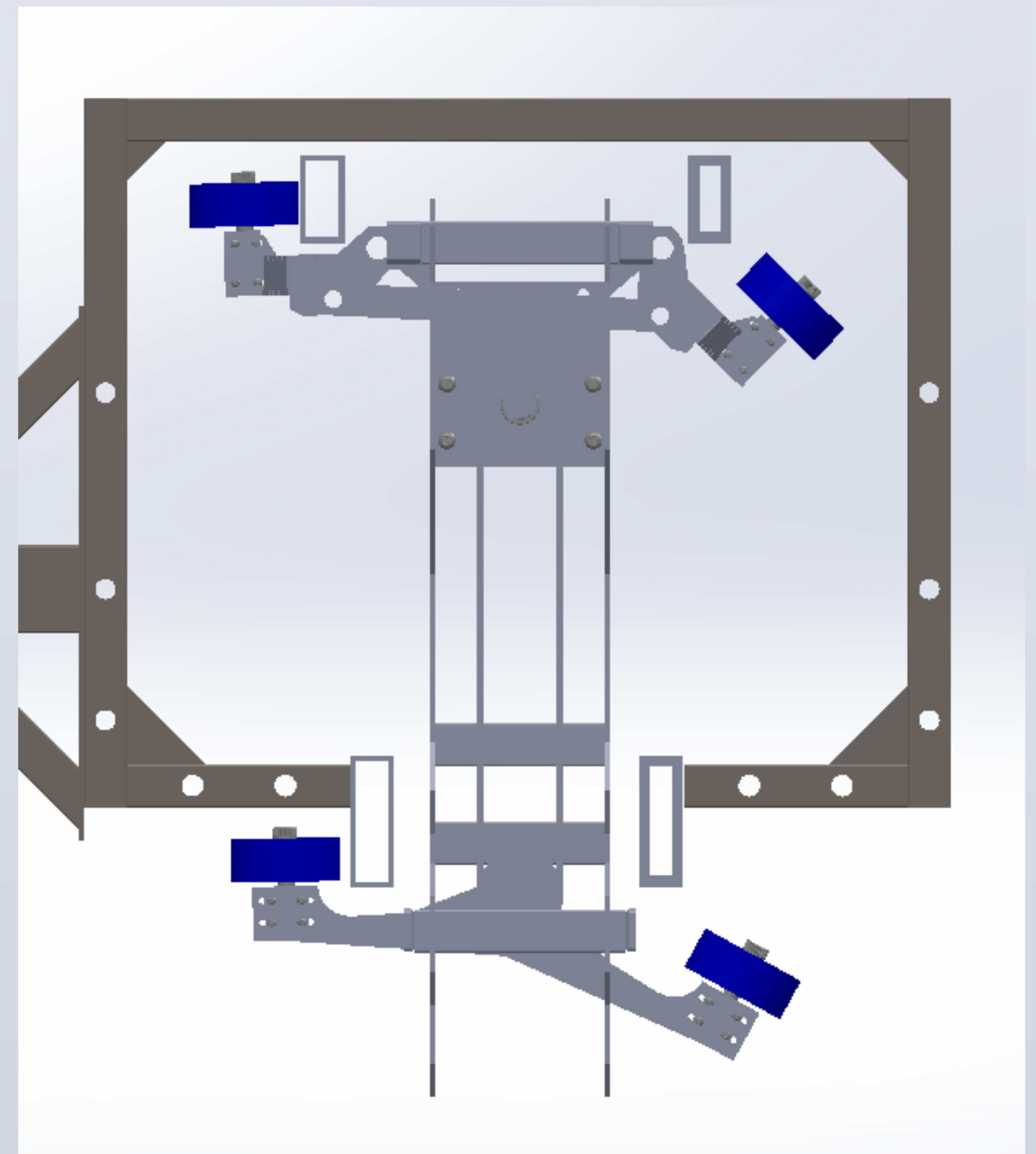
The main structure is home to many components, leaving spacing sparse



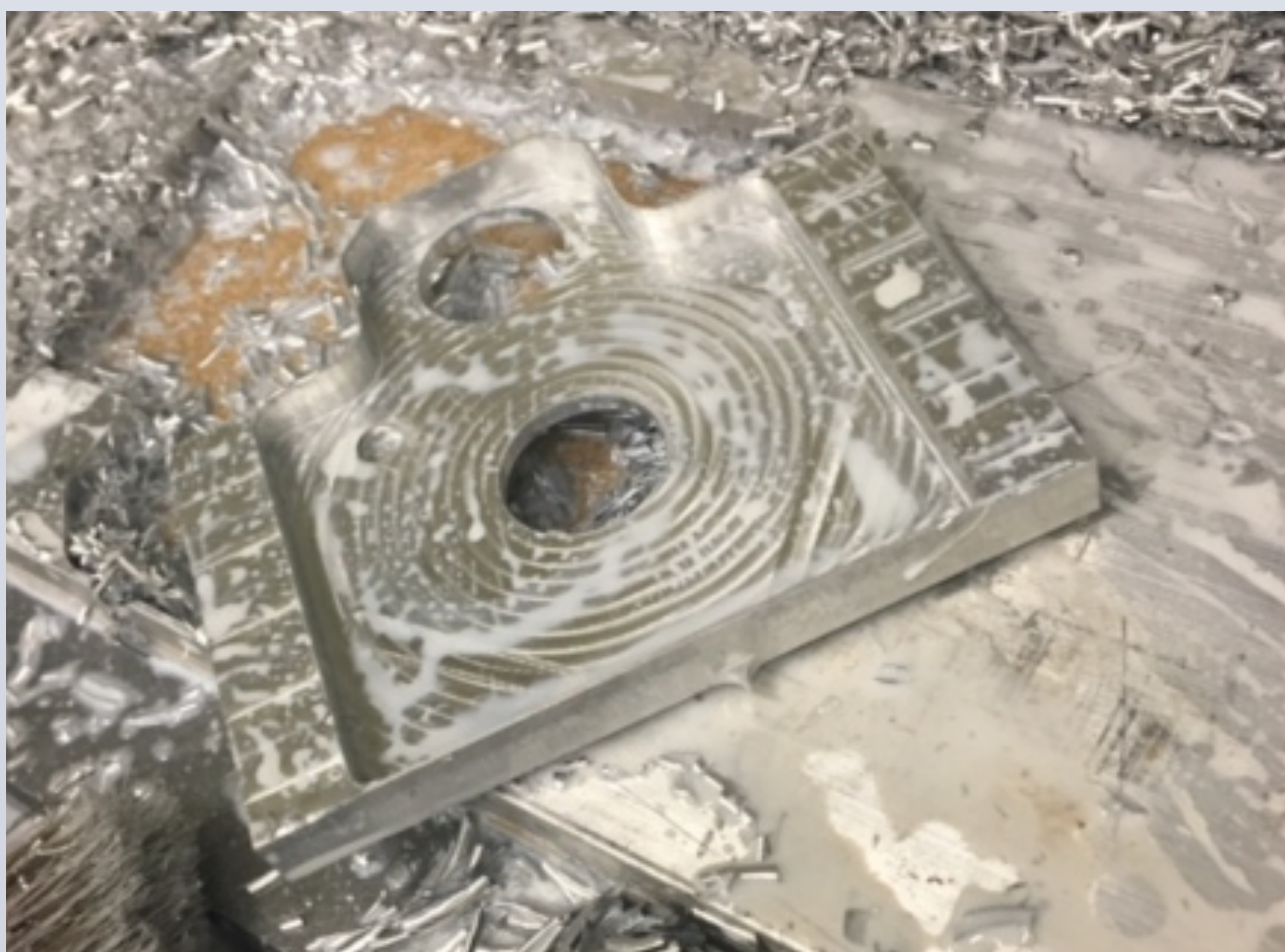
Gearing allowed for a compact and simple design



Through Solidworks it was possible to confirm analytical design



Hands on skills are being developed through the process of manufacturing



SPARTAN
SUPERWAY