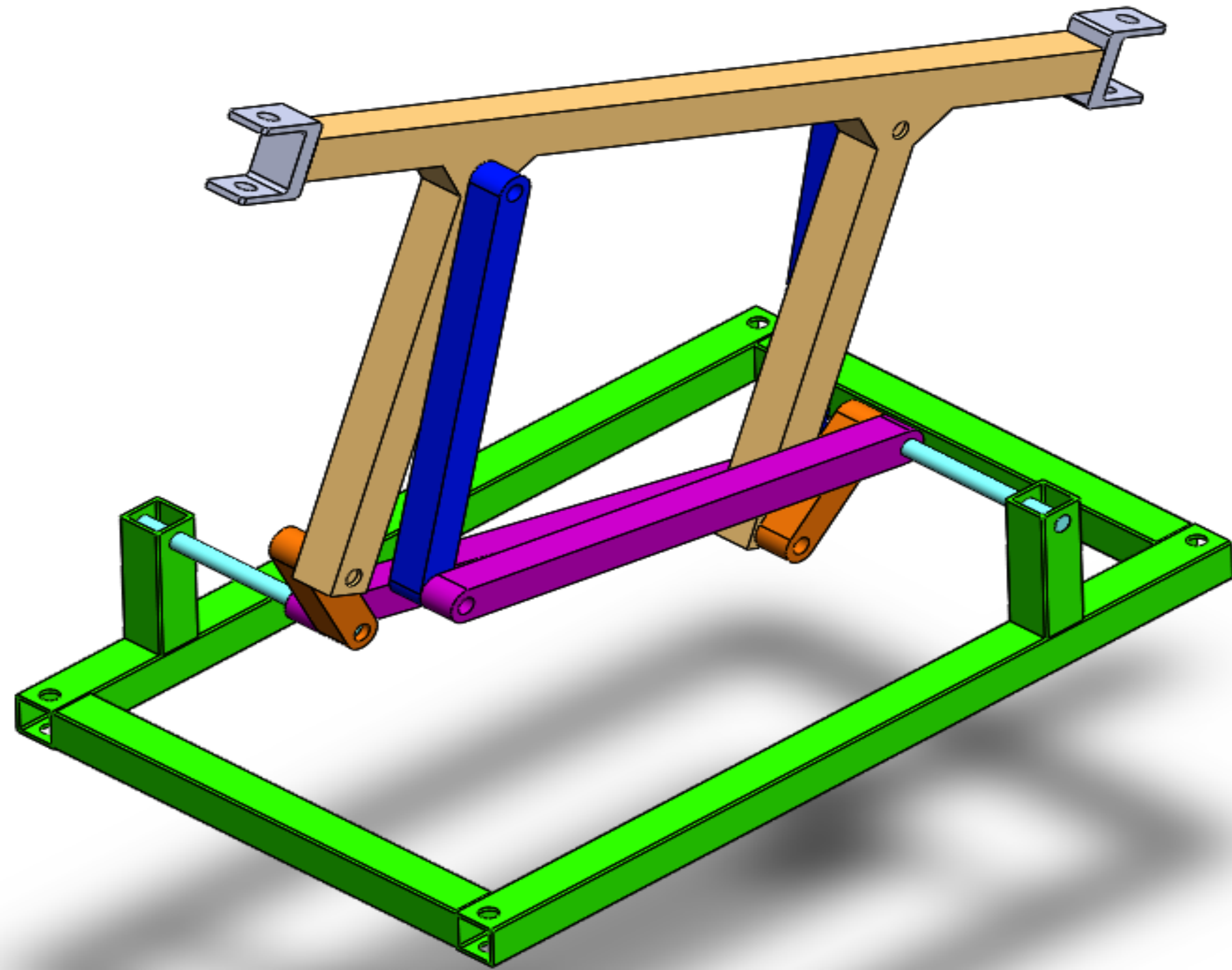


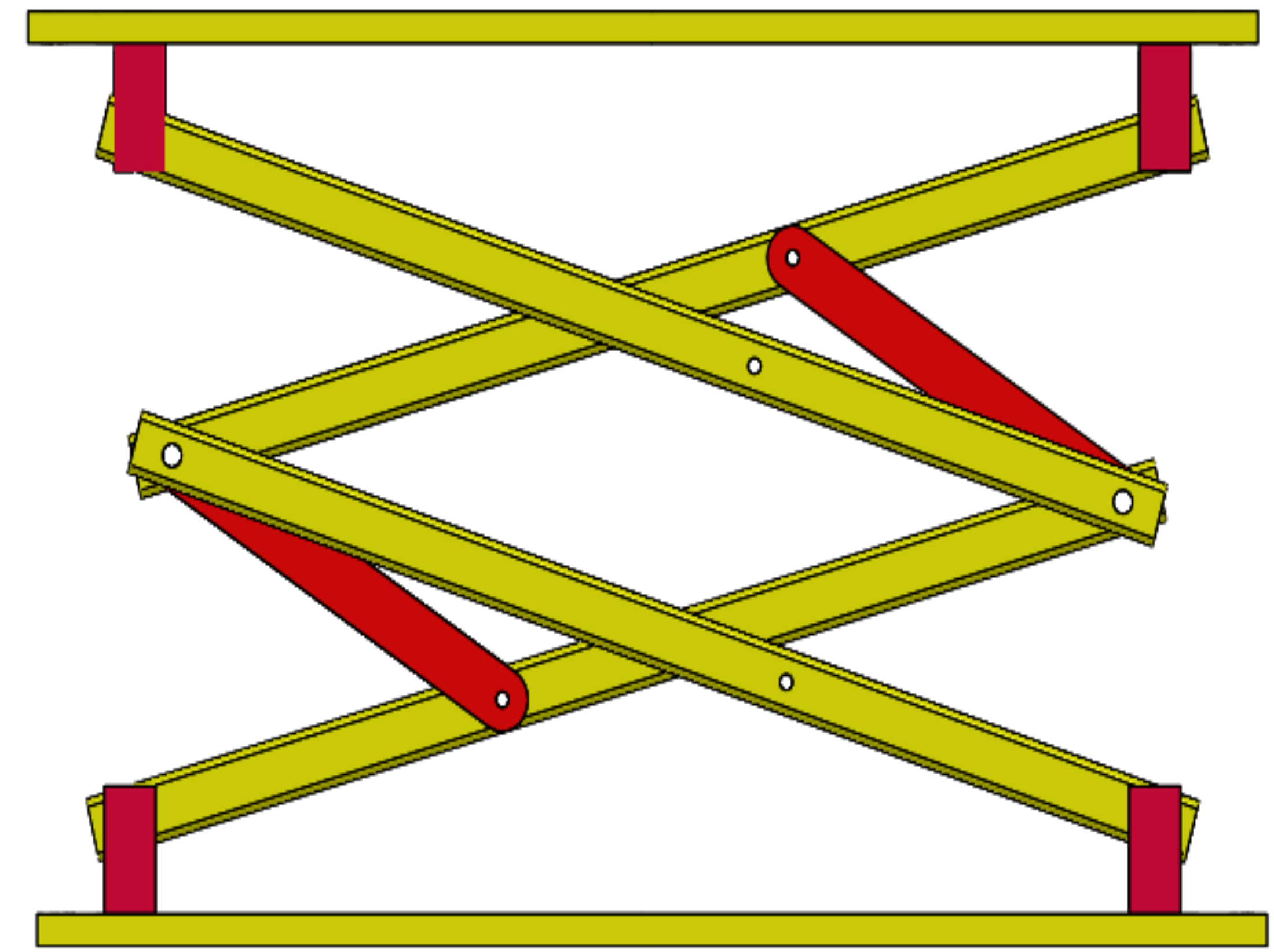
Active Suspension for Suspended Transportation System

By: Brean Aquino and Neil Dey

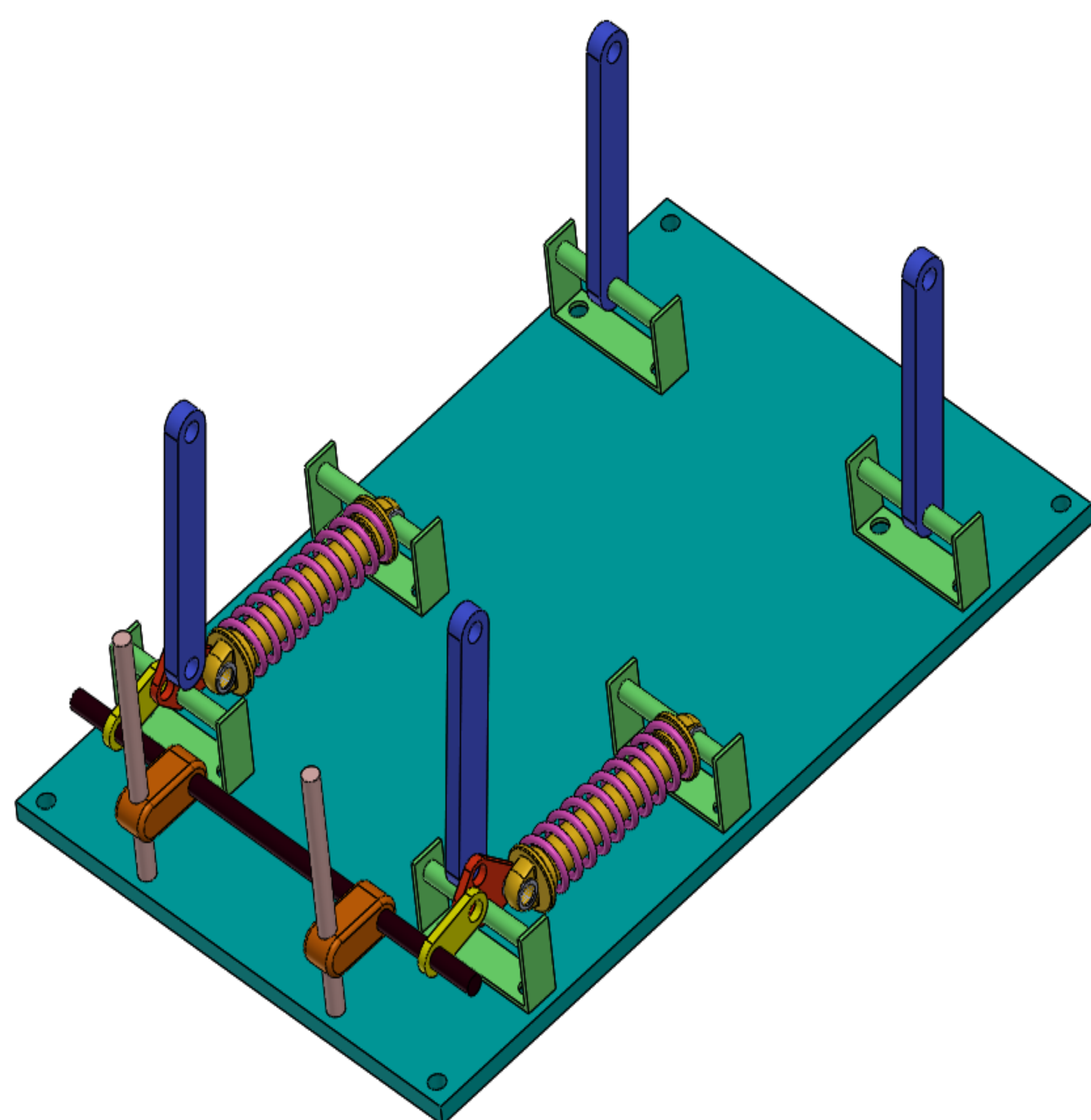
Tilt Mechanism orients pod car to accommodate incline/decline railing



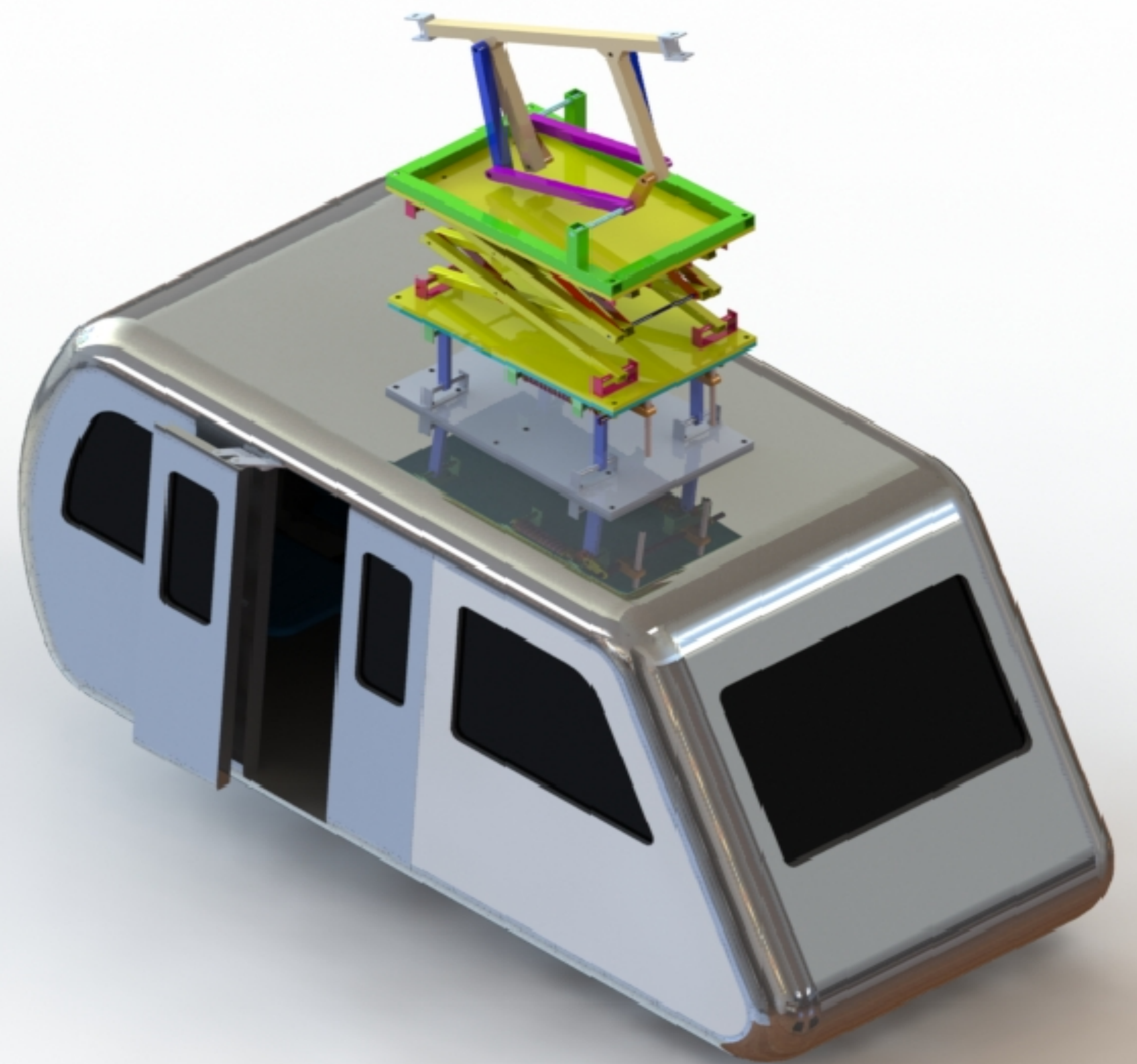
Self-Leveling Mechanism ensures pod car properly aligns with platform



Suspension improves ride quality for passengers



The Active suspension is needed to guarantee a safe and comfortable ride



SPARTAN
SUPERWAY